

JVC

SCHEMATIC DIAGRAMS

COMPACT DISC AUTOMATIC CHANGER

CH-X1000 / CH-X1000RF

CD-ROM No.SML200102

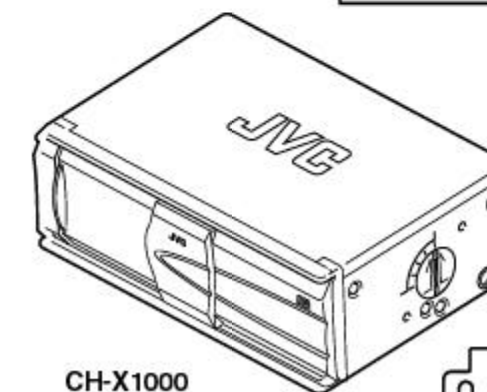
Area Suffix

J Northern America



BBE^{II}

KS-RF37



CH-X1000

COMPACT
disc
DIGITAL AUDIO

- CH-X1000RF is a combination of CH-X1000 and KS-RF37.
- KS-RF37 is a combination of Remote control and the RF unit.

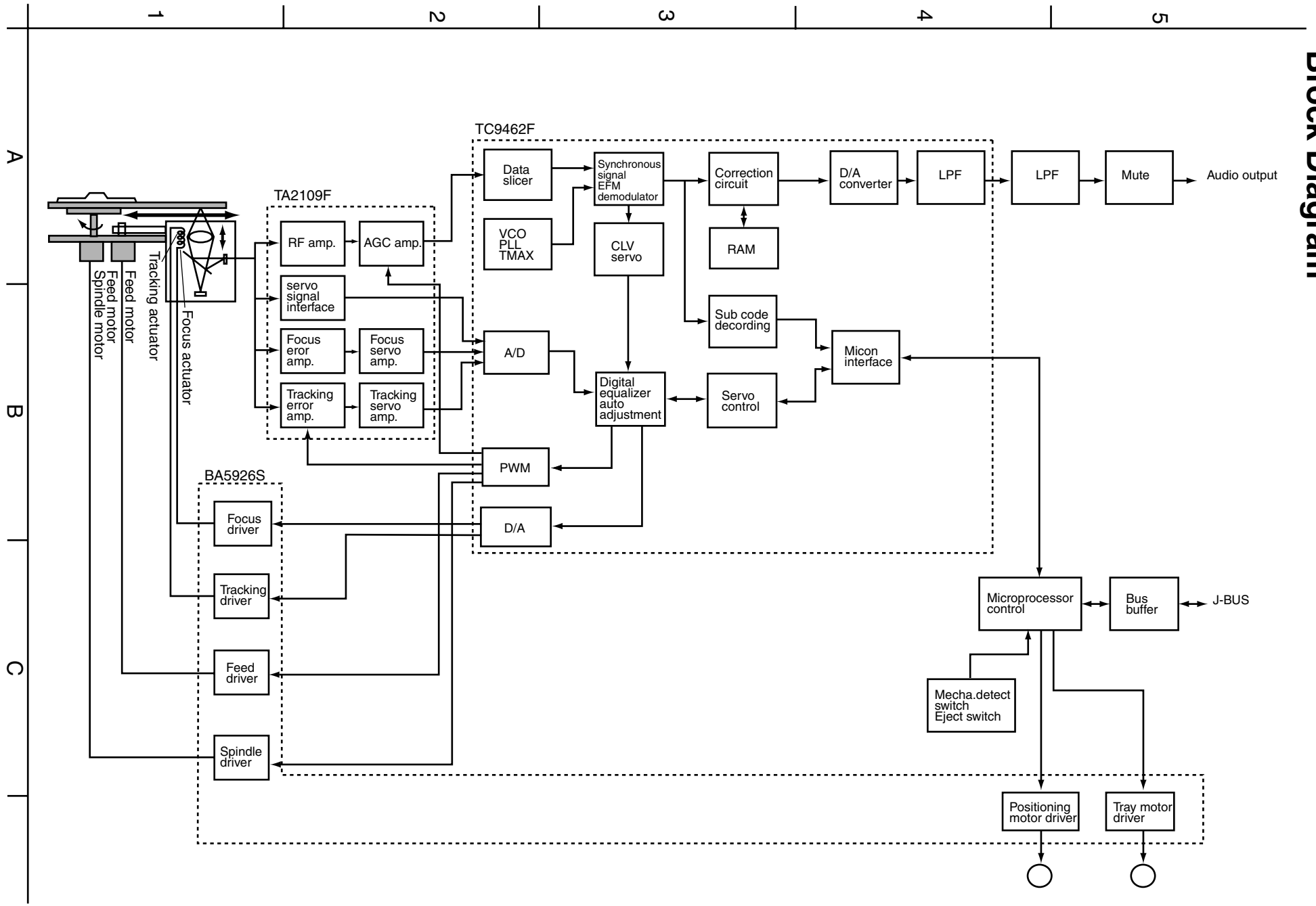
Contents

Block diagram	2-1
Standard schematic diagrams	2-3
Printed circuit boards	2-7

JVC

VICTOR COMPANY OF JAPAN, LIMITED
MOBILE ELECTRONICS DIVISION
PERSONAL & MOBILE NETWORK BUSINESS UNIT, 10-1,1Chome,Ohwatari-machi,Maebashi-city,Japan

Brock Diagram



■ Main circuit1(CH-X1000)

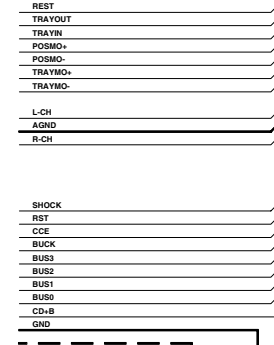
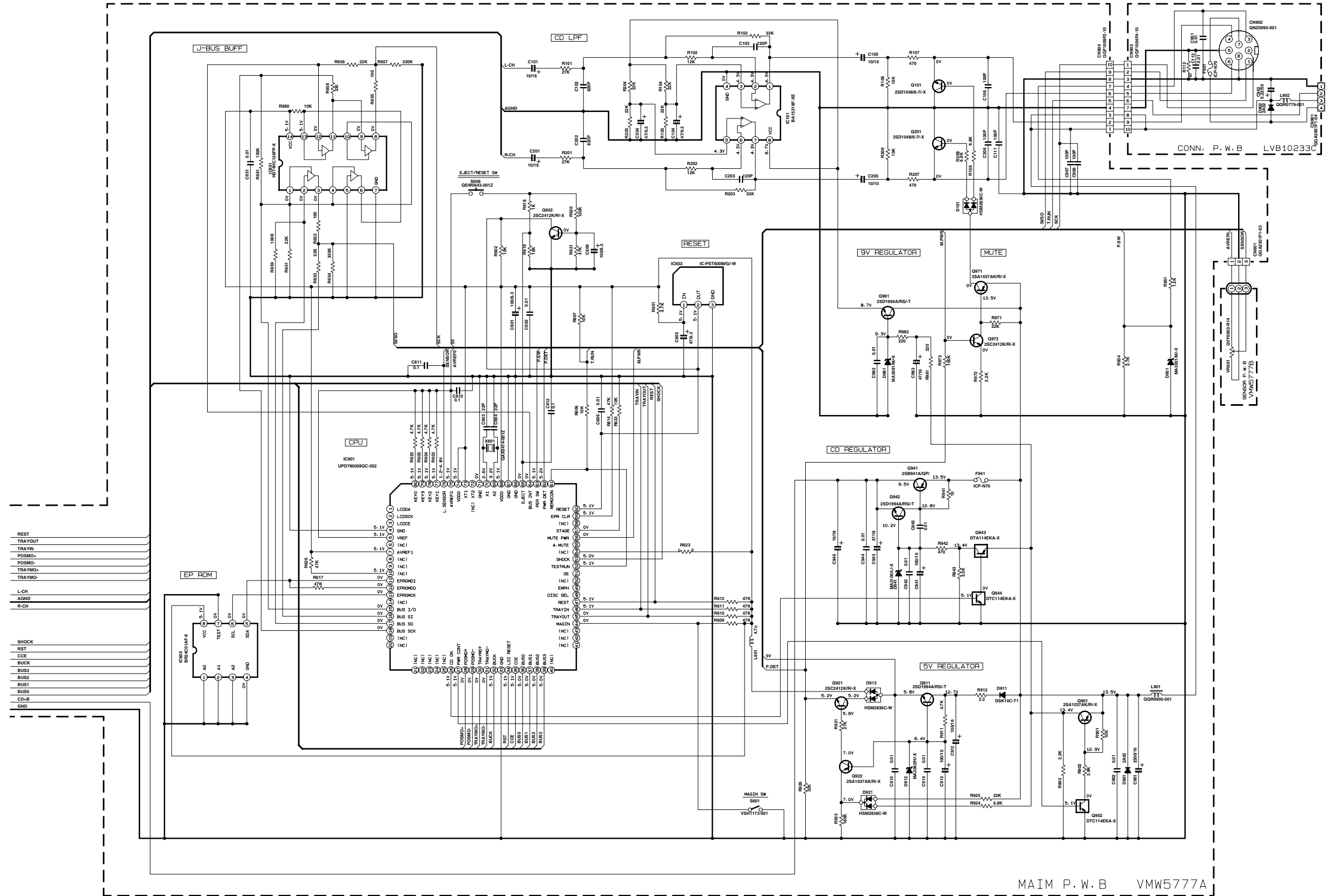
5

4

3

2

1

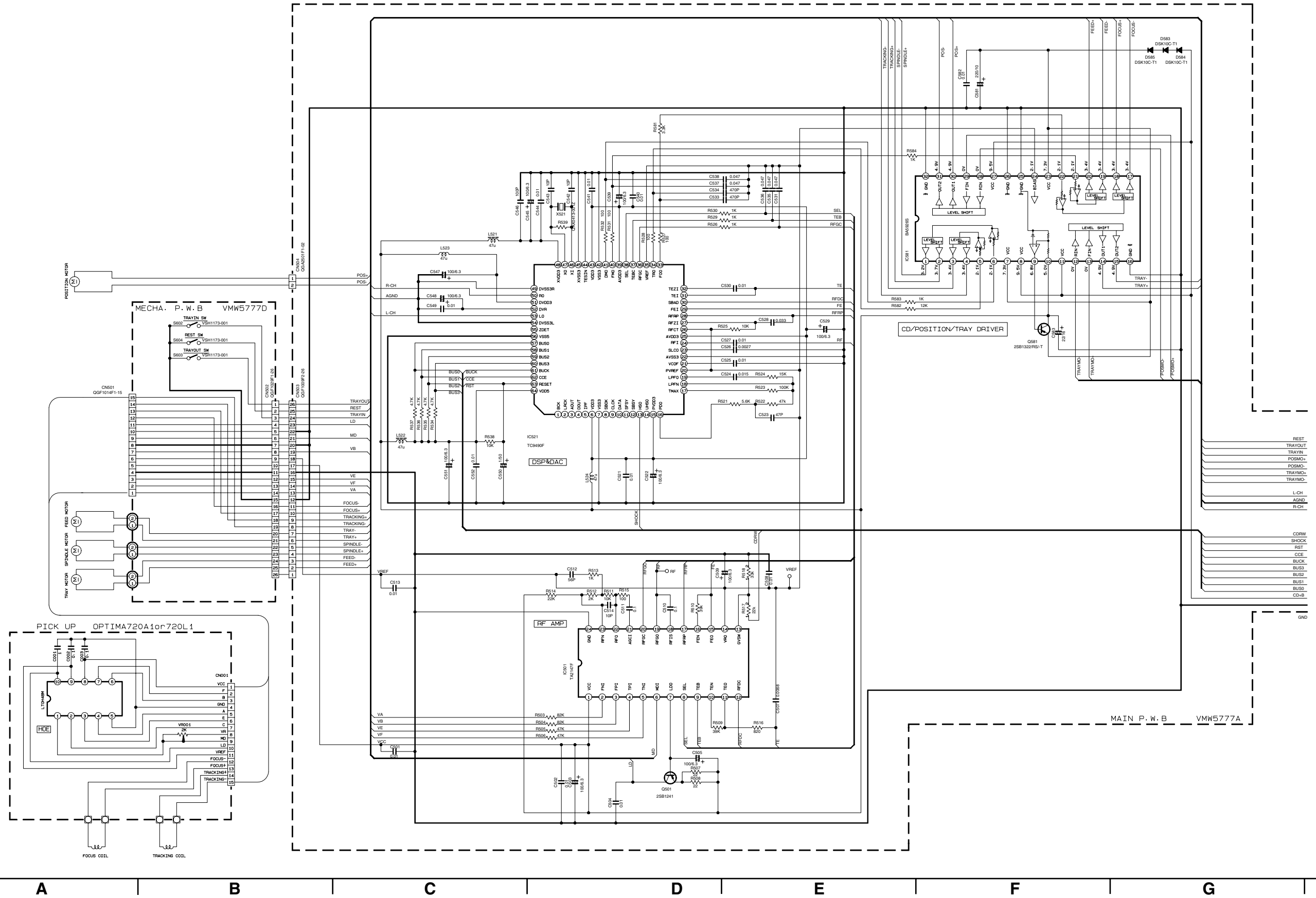


DTA114EKA		
DTC114EKA		

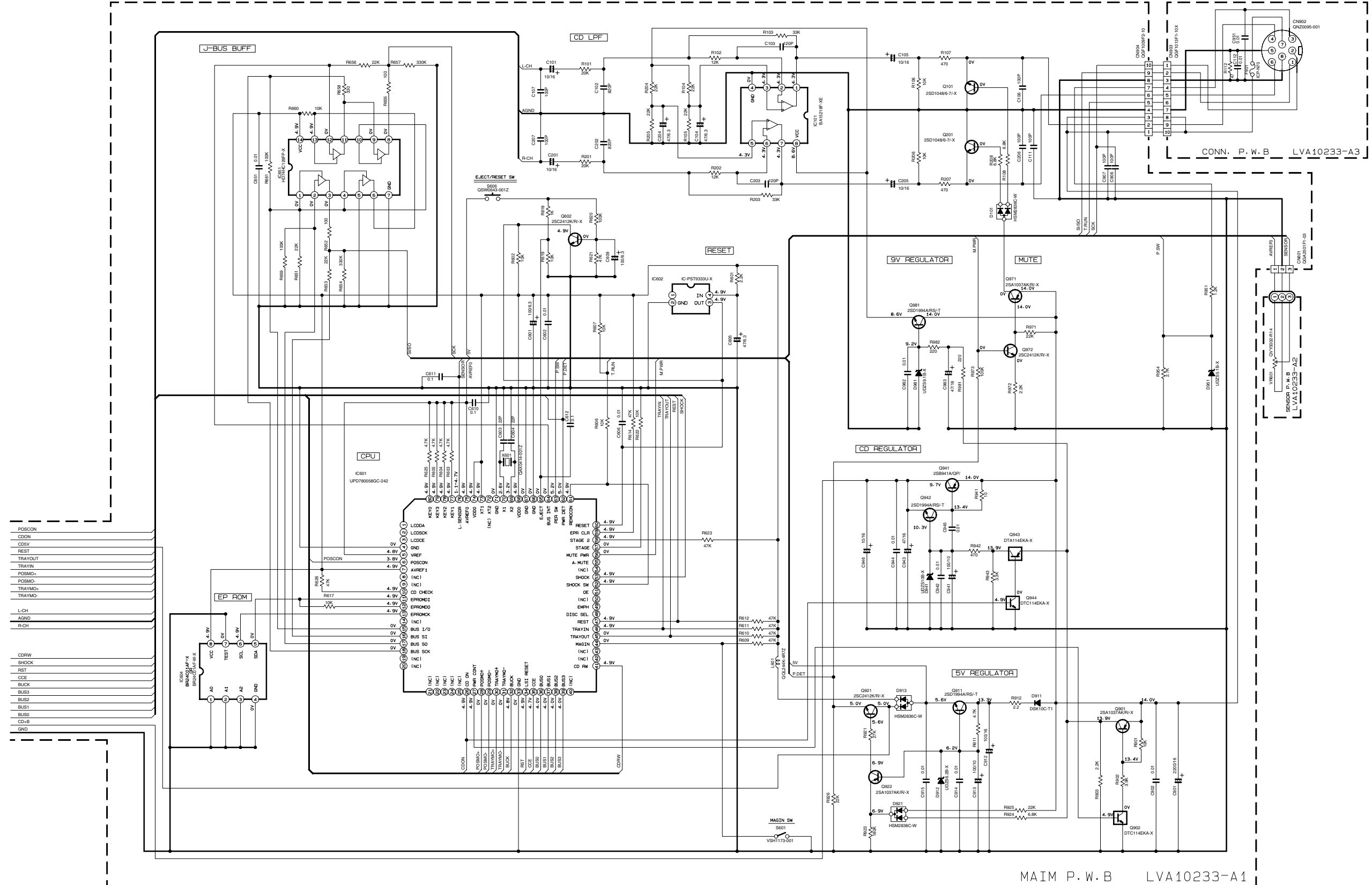
- NOTES
1. VOLTAGES ARE DC-MEASURED WITH A DIGITAL VOLT METER WITHOUT INPUT SIGNAL CONDITION—CD MODE.
 2. UNLESS OTHERWISE SPECIFIED:
 ALL RESISTORS ARE 1/10W OR 1/4W ±5% METAL GLAZE RESISTOR.
 ALL CAPACITORS ARE 50V OR 25V CERAMIC CAPACITOR.
 ALL RESISTANCE VALUES ARE IN OHM.
 ALL CAPACITANCE VALUES ARE IN uF(P=pF)
 ALL E. CAPACITORS ARE SHOWN IN THE FORM OF CAPACITANCE(uF)/RATED VOLTAGE(V)

■ Main circuit2(CH-X1000)

- NOTES
1. VOLTAGES ARE DC-MEASURED WITH A DIGITAL VOLT METER WITHOUT INPUT SIGNAL CONDITION—CD MODE.
 2. UNLESS OTHERWISE SPECIFIED, ALL RESISTORS ARE 1/10W OR 1/4W ±5% METAL GLAZE RESISTOR. ALL CAPACITORS ARE 50V OR 25V CERAMIC CAPACITOR. ALL RESISTANCE VALUES ARE IN OHM. ALL CAPACITANCE VALUES ARE IN uF(P=PF) ALL E. CAPACITORS ARE SHOWN IN THE FORM OF CAPACITANCE(uF)/RATED VOLTAGE(V)



Main circuit1(CH-X1000RF)



5

4

3

2

1

A B C D E F G H

DTA114EKA		
DTC114EKA		

NOTES

- VOLTAGES ARE DC-MEASURED WITH A DIGITAL VOLT METER WITHOUT INPUT SIGNAL CONDITION—CD MODE.
- UNLESS OTHERWISE SPECIFIED, ALL RESISTORS ARE 1/10W OR 1/4W \pm 5% METAL GLAZE RESISTOR. ALL CAPACITORS ARE 50V OR 25V CERAMIC CAPACITOR. ALL RESISTANCE VALUES ARE IN OHM. ALL CAPACITANCE VALUES ARE IN μ F (P=PF) ALL E-CAPACITORS ARE SHOWN IN THE FORM OF CAPACITANCE(μ F)/RATED VOLTAGE(V)

MAIN P. W. B LVA10233-A1

CONN. P. W. B LVA10233-A3

Main circuit2(CH-X1000RF)

- NOTES
1. VOLTAGES ARE DC-MEASURED WITH A DIGITAL VOLT METER WITHOUT INPUT SIGNAL CONDITION—CD MODE.
 2. UNLESS OTHERWISE SPECIFIED, ALL RESISTORS ARE 1/10W OR 1/4W ±5% METAL GLAZE RESISTOR. ALL CAPACITORS ARE 50V OR 25V CERAMIC CAPACITOR. ALL RESISTANCE VALUES ARE IN ΩM. ALL CAPACITANCE VALUES ARE IN nF (p=pF) ALL E-CAPACITORS ARE SHOWN IN THE FORM OF CAPACITANCE (uF)/RATED VOLTAGE (V)

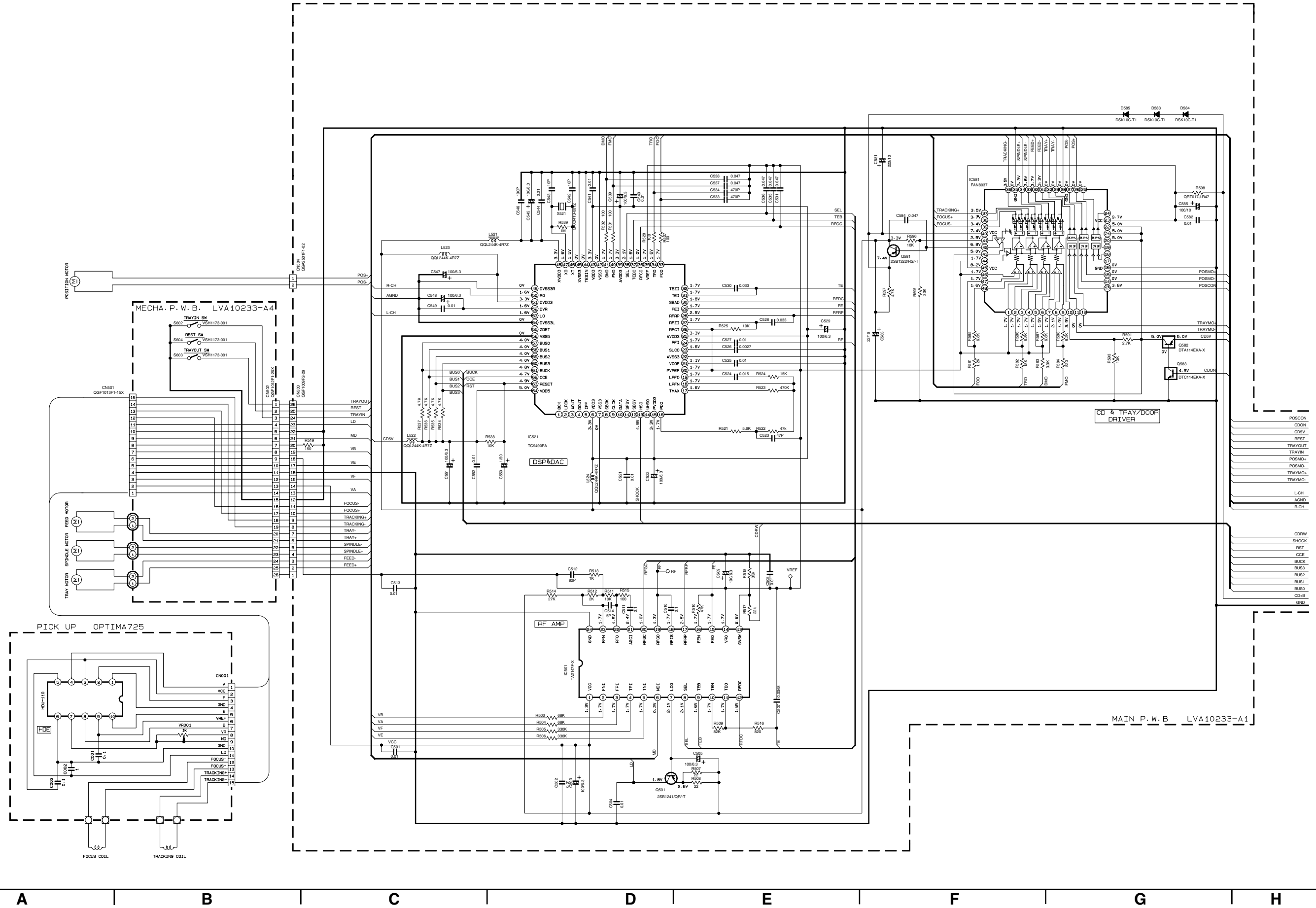
5

4

3

2

1



■ Main board

